

MOR40005B

Moflash Beacon Rotating E14 x 60W 230V AC IP65 Wall or Surface Mount Lens Blue



Component type	Rotating beacon alarm luminaire
Range	Filament/Halogen Beacon
Model	N/A
Product status	Existing

ELECTRICAL

Nominal voltage	230.0 V
Electricity consumption	0.29 A
Type of current	AC
Function	Rotating

CONSTRUCTION

Colour of lamp hood	Blue
Degree of protection (IP)	IP65
Lamp holder	E14
Mounting method	Surface mounting

PHOTOMETRIC

Lamp type	Other
-----------	-------

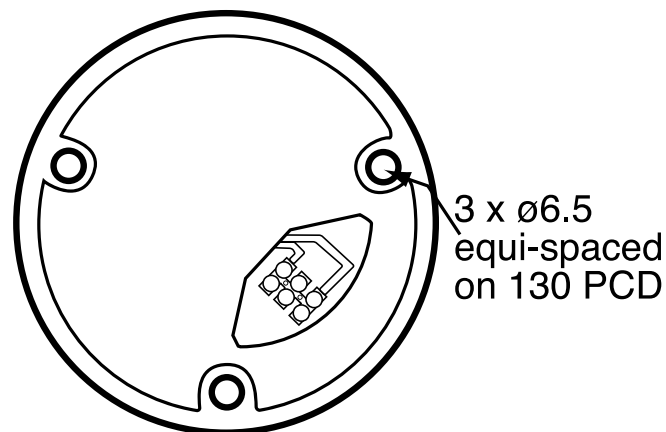
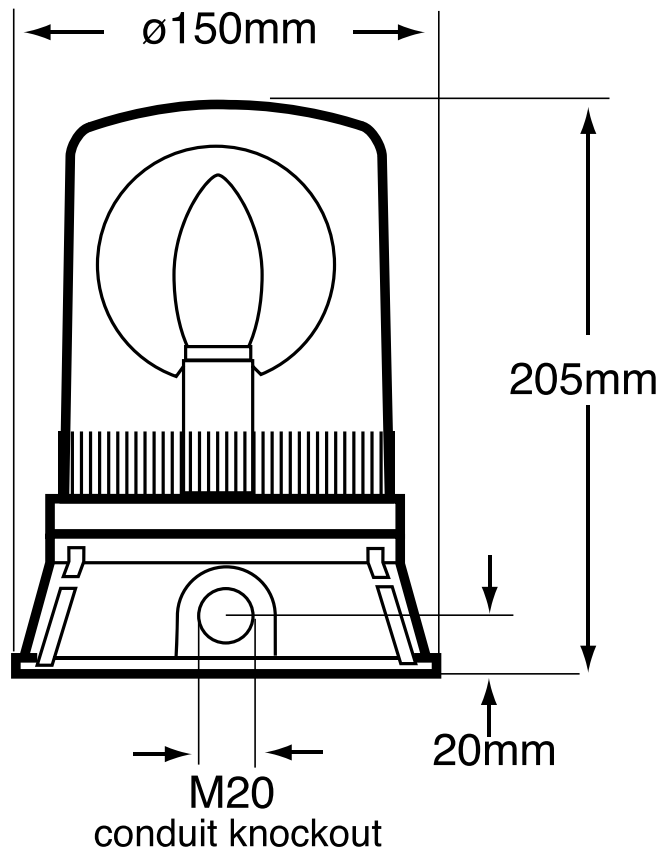
MOR40005B

Moflash Beacon Rotating E14 x 60W 230V AC IP65 Wall or Surface Mount Lens Blue



MOFLASH
SIGNALLING
BEACONS

DIMENSIONAL DIAGRAM



MOR4005B

Moflash Beacon Rotating E14 x 60W 230V AC IP65 Wall or Surface Mount Lens Blue



RELATED PRODUCTS

ACCESSORY



Item No: MO50006

Required: No

Description: Moflash Filament and Halogen Beacons Bracket Pole Mount suits 400 401 500 and 501 Series Beacons

Item No: MO50010

Required: No

Description: Moflash Filament and Halogen Beacons Cage Guard LRG PLT Coated WHT Stl suits 200 201 400 401 SRS BEA

Item No: MO50064

Required: No

Description: Moflash Filament and Halogen Beacons Dome for MOR88 MOFF200 MOFF201 MOFF400 MOFF401 Beacons Amber

Item No: MO50065

Required: No

Description: Moflash Filament and Halogen Beacons Dome for MOR88 MOFF200 MOFF201 MOFF400 MOFF401 Beacons Red

Item No: MO50066

Required: No

Description: Moflash Filament and Halogen Beacons Dome for MOR88 MOFF200 MOFF201 MOFF400 and MOFF401 Beacons Blue



Item No: MO50067

Required: No

Description: Moflash Filament and Halogen Beacons Dome for MOR88 MOFF200 MOFF201 MOFF400 MOFF401 Beacons Green

Item No: MO50068

Required: No

Description: Moflash Filament and Halogen Beacons Dome for MOR88 MOFF200 MOFF201 MOFF400 MOFF401 Beacons Clear

Item No: MO50124

Required: No

Description: Moflash Filament and Halogen Beacons Traffic Light Bracket with Glands L118mm Single Module

Item No: MO50125

Required: No

Description: Moflash Filament and Halogen Beacons Traffic Light Bracket with Glands L227mm Double Module

