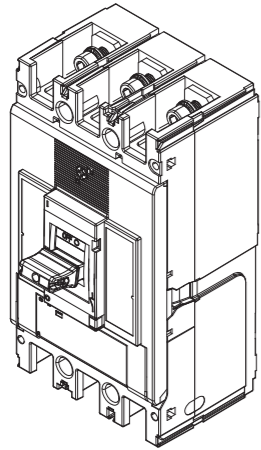




INSTALLATION INSTRUCTIONS MOULDED CASE CIRCUIT BREAKERS TEMBREAK PRO P400 3P SMART ELECTRONIC



NHP Electrical Engineering Products Pty Ltd
A.B.N. 84 004 304 812
AUS 1300 NHP NHP | nhp.com.au
NZ 0800 NHP NHP | nhp-nz.com

TOOLS REQUIRED (NOT included)

T1 Screwdriver Flathead (5mm) T2 Screwdriver Phillips (#2) T3 19mm Socket wrench T4 8mm Allen key Socket wrench T5 19mm Ring Spanner

HARDWARE (included)

A M10x30 Socket Screw (6 qty) B M10 spring washer (6 qty) C M10 flat washer (6 qty) D M6x100 mounting screws (4 qty) E Interpole Barriers (2 qty) Instruction Manual (This Document)

HARDWARE (NOT included)

F Cable Lug or Copper Bar G *M12x35 hex bolt (6 qty) H *M12 flat washer (6 qty) I *M12 Belleville washer (6 qty) J *M12 nut (6 qty)

*For extension bar connection only

OPTIONAL (NOT included)

K Extension Bars L Terminal Covers M Terminal Cover Lock N Handle Lock Internal Accessories

MOUNTING ANGLES

MOUNTING

TORQUE 4.6 - 6 Nm

DIMENSIONS

116, 90, 140, 184, 90, 82, 97, 103, 107, 130, 151 (With handle cap), 14.7, M6 Mounting screw, Panel cutout

CLEARANCE

BR₁, BR₂ = Adjacent Isolators / MCCBs

MCCB Cat No.	Y min (mm)	Z min (mm)
P400F	0	80
P400N	100	80
P400H	0	80
P400S	0	80

CLEARANCE

INSULATION PLATE, TOP PLATE (EARTHED METAL), INSULATION

X₁, X₂, W*

*distance from conductor insulation to downstream MCCB

MCCB Cat No.	W* min (mm)	X ₁ min (mm)	X ₂ min (mm)
P400F	100	80	60
P400N	120	120	80

OPERATING INSTRUCTIONS

TRIP Button

I (ON), O (OFF), TRIPPED, TRIP, RESET, O (OFF)

Operation	Force (Nm)
OFF → ON	150
ON → OFF	130
TRIP → OFF	162

DIRECTION OF POWER SUPPLY

3~

OR

3~

INTERNAL ACCESSORIES ASSEMBLY PROCEDURE*

STEP 1 TRIP MCCB

STEP 2 OPEN COVER

STEP 3 IDENTIFY TRIP BAR & MECHANISM

ALARM TRIP BAR, SHUNT/UVT TRIP BAR, SHUNT

STEP 4.1 UVT/SHUNT INSTALLATION

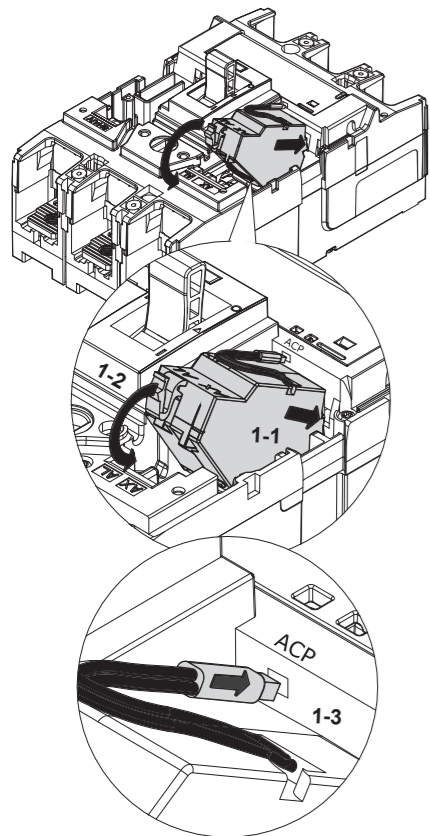
STEP 4.2 ALARM INSTALLATION

STEP 5 CLOSE MCCB COVER

OFF

*For additional internal accessory installations, scan QR code and refer to user manual for more details

SMART AX/AL INSTALLATION PROCEDURE

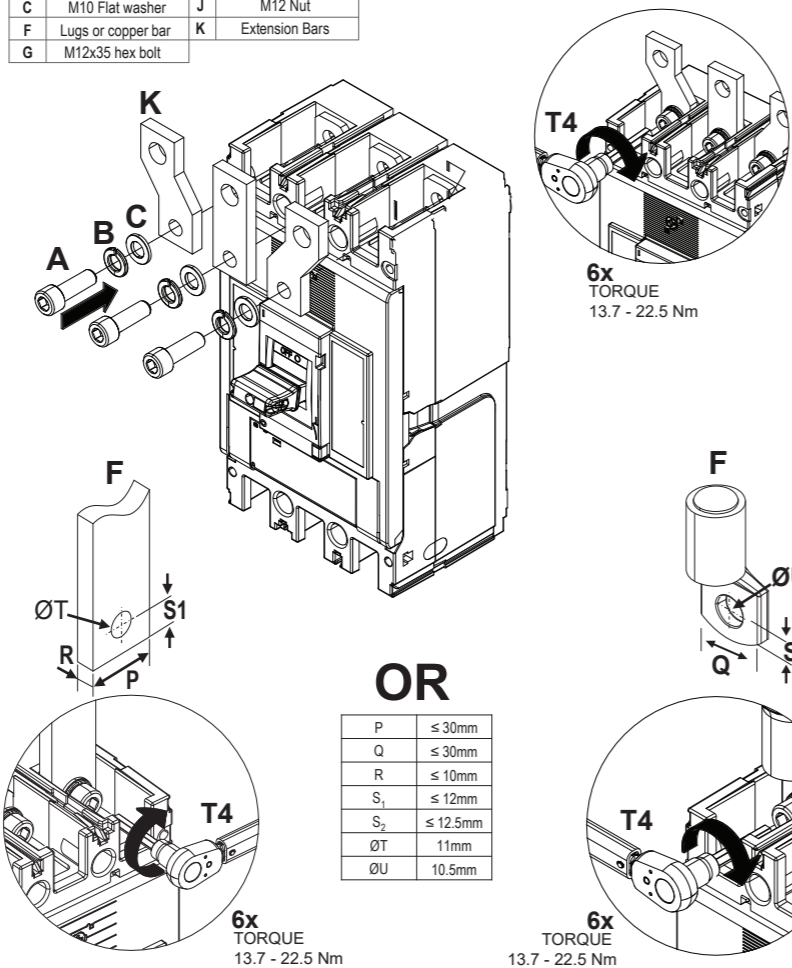


NOTE: SMART type AX/AL can only be installed in the LH side accessories chamber as shown above.

Follow steps 1,2 and 5 of 'Internal Accessories Mounting Procedure' to access and close the internal accessories chambers.

CONDUCTOR CONNECTION PROCEDURE -- FRONT CONNECTION -- EXTENSION BAR CONNECTION PROCEDURE

A	M10x30 Socket screw	H	M12 Flat washer
B	M10 Spring washer	I	M12 Belleville washer
C	M10 Flat washer	J	M12 Nut
F	Lugs or copper bar	K	Extension Bars
G	M12x35 hex bolt		

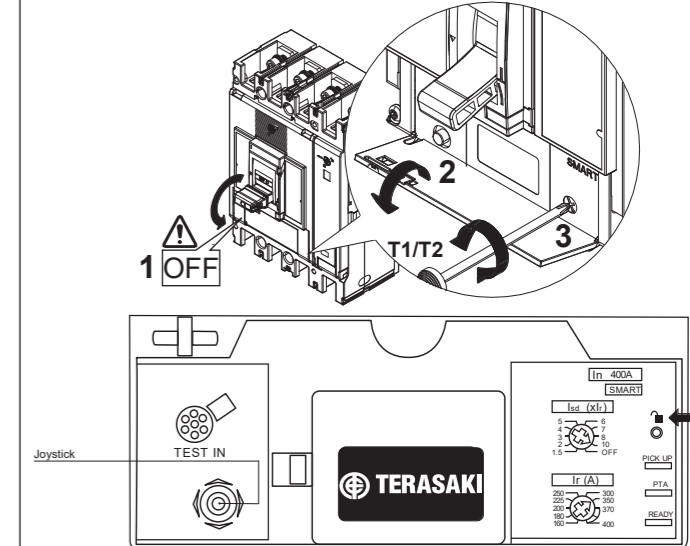


OR

P	≤ 30mm
Q	≤ 30mm
R	≤ 10mm
S ₁	≤ 12mm
S ₂	≤ 12.5mm
ØT	11mm
ØU	10.5mm

P	≤ 30mm
Q	≤ 30mm
R	≤ 10mm
S ₁	≤ 12mm
S ₂	≤ 12.5mm
ØT	11mm
ØU	10.5mm

TRIP UNIT ADJUSTMENT PROCEDURE

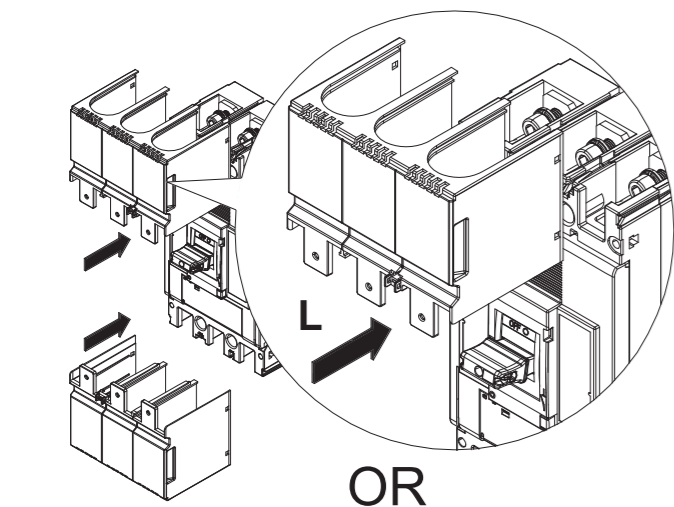


- NAVIGATION
- Adjust 'Ir' dial for desired rated current
 - To navigate between main menus, move joystick left or right
 - To navigate within a submenu, move joystick up or down
 - To confirm a setting change, press in the joystick

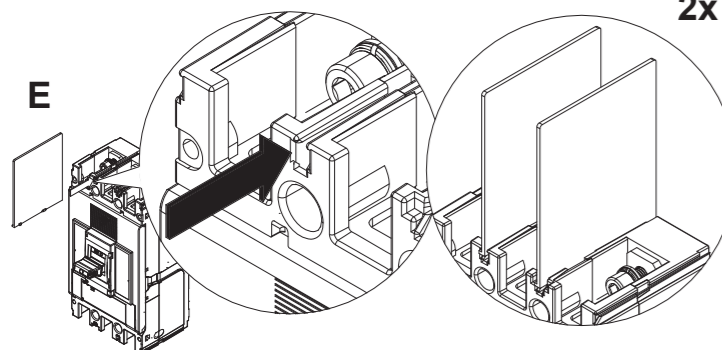
Protection	Measurement	Configuration	Information
DISPLAY ORIENTATION	STANDBY MODE	SCREEN BRIGHTNESS	

*by default, the SMART OCR Protection settings are protected via a locking function, to unlock, please press the unlock button
FOR MORE INFORMATION, PLEASE SCAN THE QR CODE

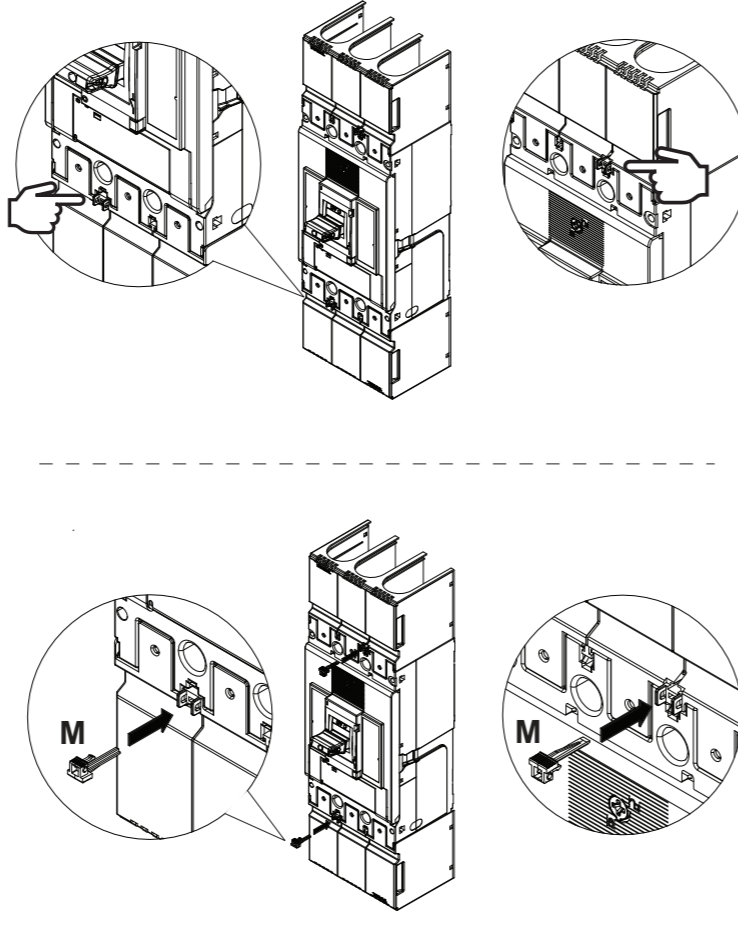
TERMINAL COVER



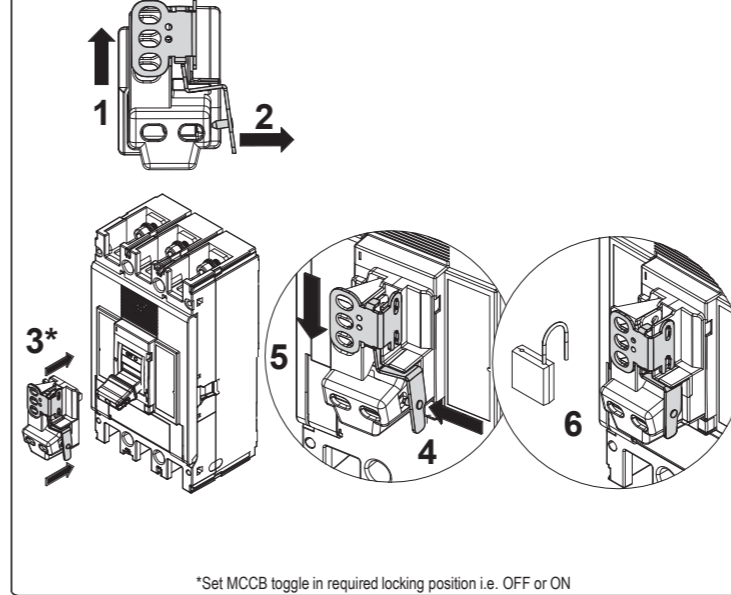
INTERPOLE BARRIER



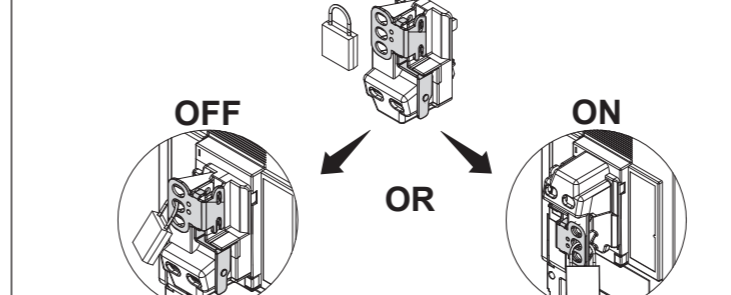
TERMINAL COVER LOCK



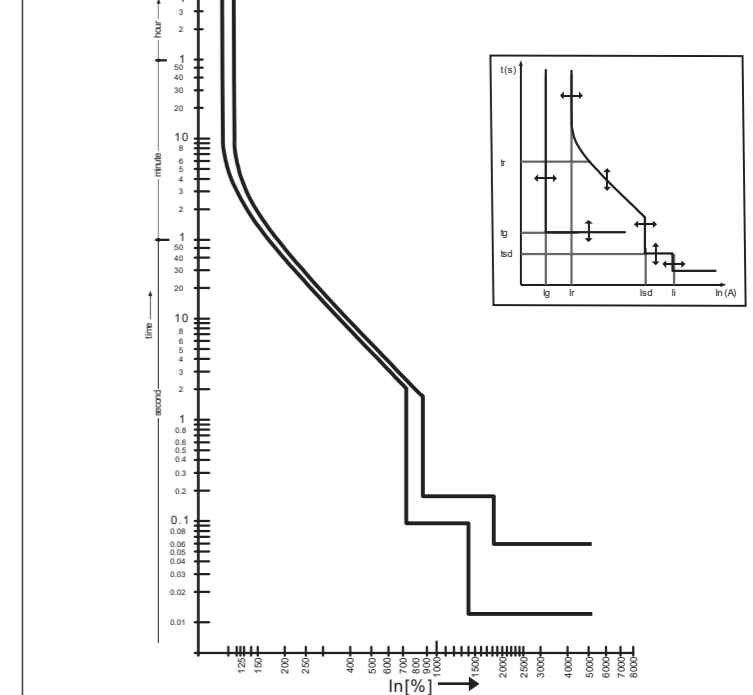
TOGGLE LOCK / PADLOCK ASSEMBLY PROCEDURE



TOGGLE LOCK OPTION



TIME CURRENT CHARACTERISTIC CURVE



	Threshold Adjustment	Time Setting
Long-time protection	Ir	tr
Short-time protection	I _{sd}	tsd, I _t
Instant protection	li	
Protecting Earth	I _g	tg, I _t
Neutral protection	N	

NOTE: The protection menu consists of sub-menus to view and edit each OCR protection setting