

Removal instructions

1. Before removing the fitting, de-energise and lock off the supply circuit.
2. Twist the diffuser in the anti-clockwise direction and remove it, see figure 1.
3. This step is for emergency version only; disconnect the battery connection from the power pack.
4. Remove the mains supply cables from the terminal block.
5. Unscrew the mounting screws and remove the housing.

Note: When the fitting is reconnected to the supply, it will need 24 hours charging time before it will be capable of a full duration discharge.

Testing precautions

Once the fitting is permanently connected to the mains supply, a commissioning discharge test as required in AS/NZS2293.2 must be carried out. You will need to allow 24 hours for the battery to fully charge prior to conducting this test, presently (at the time of writing), the standard requires that fittings operate in emergency mode for a period not less than 2 hours for their commissioning test and for not less than 90 minutes thereafter (it is required that 6 monthly discharge tests be carried out). You will need to keep the records for the commissioning test and enter them into the building emergency services logbook or via other recording methods as allowed by AS/NZS2293.2.

Construction sites

Continuously switching of the mains power supply that is connected to emergency light fittings during the construction phase of an installation will cause these fittings to discharge and charge their batteries many times over a short period; this can shorten the life of the battery and will also result in shortened emergency lamp life. ABB does not recommend such practices and may not honour the warranty on batteries when they are subjected to such harsh operating conditions. Emergency light fittings are designed to be discharge tested once every 6 months as per AS/NZS2293.2, subjecting the product to repeated discharge or charge cycles is regarded as an abuse of the fittings.

Trouble shooting guide

If you have installed and connected the unit as per the instructions listed earlier and it does not function correctly, use the following table as a guide to fixing the problem. Look up the type of fault in the left column and check the possible causes from the right column.

No.	Fault	Possible causes
1	LED light source and indicating LED not lit	AC supply not connected or turned off; and/or Test switch damaged
2	LED light source is lit but indicating LED not lit	Test switch damaged; or Battery not connected or faulty; or USA not connected or turned off
3	LED light source does not illuminate when the test button is pressed	Test switch damaged; or Battery not connected or faulty
4	LED light source works momentarily when the test button is pressed	Battery not yet charged (allow up to 24 hours)

If the unit still does not work after checking these possible causes, contact ABB service in Australia on 1800 222 435, Monday to Friday, 7.00am to 5.00pm (AEST) and ask for help. Our trained service personnel will usually be able to take your call immediately and assist you in resolving your difficulty. ABB is committed to providing valuable through-life support for its products.

ABB Australia Pty Limited

Phone: 1800 222 435

E-mail: AU-ABB-Stanilite@abb.com

www.stanilite.com.au

Copyright © 2016 ABB
All rights reserved

Installation manual

Economy e-Luna circular LED AC, emergency

Doc no. 29-HPSP001



This document covers	What's inside the box
Safety warning	Economy e-Luna circular LED
Installation instructions	Masonry wall plugs and screws
Removal instructions	Installation manual
Testing precautions	Warranty information
Trouble shooting guide	

Congratulations

Congratulations on choosing to use this ABB product covered by our unique through-life support system. This document is designed to assist you during the installation of this product; for the safety of yourself and others **ABB recommends that you read this document thoroughly before commencing installation.** The fittings are designed for easy installation. They are advanced pieces of electronic equipment which, when treated with care and maintained through regular and appropriate servicing, will perform reliably for many years to come.

Safety warning

In Australia and New Zealand, only licensed electricians are permitted by law to work with 240 volt electrical installations. Do not attempt to install or connect this product unless you are a licensed electrician. Turn off and isolate the electrical supply before connecting this fitting to the building wires. Do not touch the terminals of the terminal block when the light fitting is energised. The only user-serviceable parts are fluorescent or halogen lamp/s. LED light sources are not user-serviceable. Do not tamper with the fitting or the warranty will be void. As the installer, it is your responsibility to ensure compliance with all relevant building and safety codes, (ie: AS3000, AS/NZS2293). Refer to the applicable standards for data and mains cabling installation procedures and requirements.

Important note: This product is designed for indoor use only.

9AKK106713A9566 - Oct 2016 - Revision E

Stanilite®

Power and productivity
for a better world™



Installation instructions

1. Remove the unit from the packing box and inspect it for damage or imperfections. If any damage is found, do not install the unit, but replace it carefully into the packing box and notify the ABB product support hotline in Australia on 1800 222 435.
2. If all looks okay, installation can proceed.
3. Twist the diffuser in the anti-clockwise direction and remove it, see figure 1.
4. Route the mains cable through the cable entry hole, see figure 2.
5. Secure the base onto the ceiling or wall using the wall plugs and screws supplied or use appropriate fixings to suit the type of building construction material, see figure 3.
6. Strip 9mm insulation length from mains cable, connect and terminate wires to the terminal block. Be careful with multi-strand conductors that all the strands are twisted together before insertion into the terminal. Any stray strands that inadvertently come into contact with their neighbouring terminal will cause undesirable results when the fitting is powered. Refer table below and see figure 4.

Wire/fitting type	Maintained - with SA	Non-maintained
Switched active (SA)	Wire to terminal L	Not connected
Unswitched active (A)	Wire to terminal L ¹	Wire to terminal L ¹
Neutral (N)	Wire to terminal N	Wire to terminal N
Earth	Wire to terminal E or \perp	Wire to terminal E or \perp

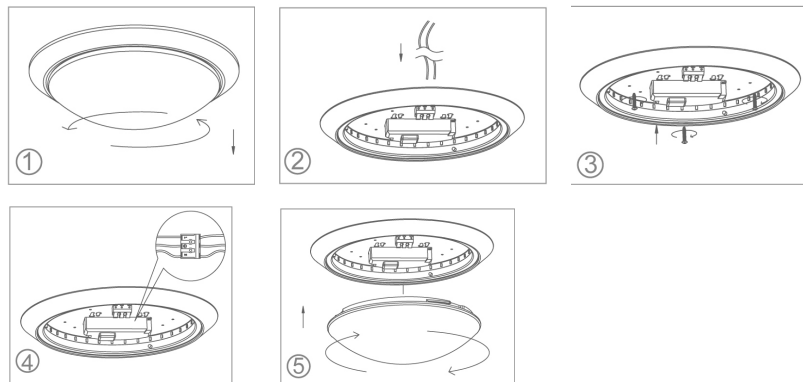
Note: For permanent maintained operation, loop unswitched active (L¹) to switched active (L).

7. This step is for emergency version only; ensure the battery is connected to the emergency module.
8. Energise the fitting and check operation to ensure that the installation was successful. Refer to the trouble shooting guide on the last page if abnormal operation or indication is encountered.
9. This step is for emergency version only; once powered up allow a few minutes to give the battery a small charge then press the test button adjacent to the indicator LED. Check the operation and LED indications per the following tables. Refer to the trouble shooting guide on the last page if abnormal operation or indication is encountered.

Fitting type	Normal operation	Test switch pressed (after few minutes charging)
AC and emergency without motion detect	LEDs will illuminate to full brightness when SA is energised.	LEDs will illuminate at approximately 10% of mains brightness.
AC and emergency with motion detect sensor	The operation of the LEDs in normal mains availability is dependent on the settings of the motion detect module. Please refer to motion detect sensor - settings section for details.	LEDs will illuminate at approximately 10% of mains brightness.

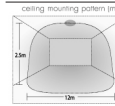
Fitting type	Indicator LED state - on initial powering - no fitting faults
Emergency	Solid green

10. Reinstall the diffuser and turn it clockwise direction to lock in place, see figure 5.



Motion detect sensor - settings

Detection area



Detection area can be reduced by selecting the combination on the DIP switches to fit precisely for each specific application.

	1		
I	●	100 %	I – 100% II – 50%
II	○	50 %	

Hold-time



Hold-time means the time period you would like to keep the lamp on 100% after the person has left the detection area.

	2	3		
I	●	○	5s	I – 5s II – 30s III – 3min IV – 10min
II	●	○	30s	
III	○	●	3min	
IV	○	○	10min	

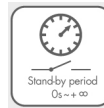
Daylight sensor



The daylight threshold can be set on DIP switches, to fit for particular application.

	4	5		
I	●	○	Disable	I – Disable II – 50Lux III – 10Lux IV – 2Lux
II	●	○	50Lux	
III	○	●	10Lux	
IV	○	○	2 Lux	

Stand-by period (corridor function)

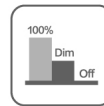


This is the time period you would like to keep at the low light output level before it is completely switched off in the long absence of people.

Note: "0s" means on/off control; "+" means bi-level dimming control, fixture never switches off.

	6	7		
I	●	○	0s	I – 0s II – 30s III – 10min IV – +∞
II	●	○	30s	
III	○	●	10min	
IV	○	○	+∞	

Stand-by dimming level

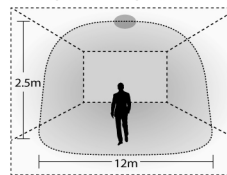


This is the dimmed low light output level you would like to have after the hold-time in the absence of people.

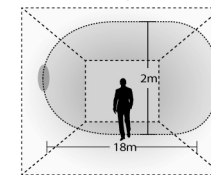
	8		
I	●	10%	I – 10% II – 30%
II	○	30%	

Detection pattern

ceiling mounting pattern (m)



wall mounting pattern (m)



Maintenance

1. Cut off the main power first.
2. Do not touch LEDs while maintaining or cleaning.
3. Do not use chemicals to clean the fixture.

Environmental protection; waste electrical products should not be disposed of with household waste. Please recycle where facilities exist. Check with your local authority or retailer for recycling advice.

