

## Construction sites

Continuously switching of the mains power supply that is connected to emergency light fittings during the construction phase of an installation will cause these fittings to discharge and charge their batteries many times over a short period; this can shorten the life of the battery and will also result in shortened emergency lamp life. ABB does not recommend such practices and may not honour the warranty on batteries when they are subjected to such harsh operating conditions. Emergency light fittings are designed to be discharge tested once every 6 months as per AS/NZS2293.2, subjecting the product to repeated discharge or charge cycles is regarded as an abuse of the fittings.

## Trouble shooting guide

If you have installed and connected the unit as per the instructions listed earlier and it does not function correctly, use the following table as a guide to fixing the problem. Look up the type of fault in the left column and check the possible causes from the right column.

No.	Fault	Possible causes
1	Red LED not lit	AC supply not connected; or AC supply turned off; or Test switch damaged
2	Red LED is lit but lamp does not come on when test switch is pressed	Lamp damaged; or Lamp not connected properly; or Battery pack damaged; or Test switch damaged
3	Lamp is lit momentarily when test switch is pressed; or When mains fail	Battery not fully charged; or Battery pack damaged

If the unit still does not work after checking these possible causes, contact ABB service in Australia on 1800 222 435, Monday to Friday, 7.00am to 5.00pm (AEST) and ask for help. Our trained service personnel will usually be able to take your call immediately and assist you in resolving your difficulty. ABB is committed to providing valuable through-life support for its products.

## ABB Australia Pty Limited

Phone: 1800 222 435

E-mail: AU-ABB-Stanilite@abb.com

www.stanilite.com.au

Copyright © 2016 ABB  
All rights reserved

## Installation manual

# Flood light LED weatherproof Standard, Nexus LX, Nexus RF

Doc no. 29-00135



This document covers	What's inside the box
Safety warning	Flood light LED weatherproof
Installation instructions	LED lamps (2)
Removal instructions	Accessory kit
Testing precautions	Installation manual
Trouble shooting guide	Warranty information

## Congratulations

Congratulations on choosing to use this ABB product covered by our unique through-life support system. This document is designed to assist you during the installation of this product; for the safety of yourself and others **ABB recommends that you read this document thoroughly before commencing installation.** The fittings are designed for easy installation. They are advanced pieces of electronic equipment which, when treated with care and maintained through regular and appropriate servicing, will perform reliably for many years to come.

## Safety warning

In Australia and New Zealand, only licensed electricians are permitted by law to work with 240 volt electrical installations. Do not attempt to install or connect this product unless you are a licensed electrician. Turn off and isolate the electrical supply before connecting this fitting to the building wires. Do not touch the terminals of the terminal block when the light fitting is energised. The only user-serviceable parts are fluorescent or halogen lamp/s. LED light sources are not user-serviceable. Do not tamper with the fitting or the warranty will be void. As the installer, it is your responsibility to ensure compliance with all relevant building and safety codes, (ie: AS3000, AS/NZS2293). Refer to the applicable standards for data and mains cabling installation procedures and requirements.

**Important note:** This product is designed for indoor and outdoor use.

## Nexus LX (data cable system)

The Nexus® range of emergency light fitting are designed to be connected together into a special communication network over a Level 4 (or higher) high speed, single twisted pair data cable. The Nexus user and technical guide describes all you need to know to successfully install a Nexus project. Ask for it from your supervisor, from your employer or from your nearest ABB product supplier. The network cabling of the building must be installed as per the procedure detailed in the Nexus user and technical guide. No mains or mains carrying cables are to be connected to the data terminals or cables.

## Nexus RF (wireless system)

The Nexus RF range of light fittings are designed to communicate via a proprietary RF network, however the electrical installation of the fittings is identical to that of a standard non-monitored fitting.

Stanilite®

Power and productivity  
for a better world™ **ABB**

9AKK106990A0576 - Oct 2016 - Revision 4

## Installation instructions

1. Remove the unit from the packing box and inspect it for damage or imperfections. If any damage is found, do not install the unit, but replace it carefully into the packing box and notify the ABB product support hotline in Australia on 1800 222 435.
2. If all looks okay, installation can proceed.
3. Remove the lid by unscrewing 4 screws on each side.
4. Determine the mounting and mains cable entry direction, allow at least 100mm of clearance space on either side of the enclosure to ensure adequate operation space for the LED/push-button when the unit is installed. The mounting holes are indicated by keyway slots. See figure 1 for more details (69mm centre distance and smaller diameter 7mm). Hold the enclosure against the wall, use a pencil to mark the position of the screw holes and remove the enclosure. Double check the holes centre distance, make adjustment as required ensuring they are correct and level.

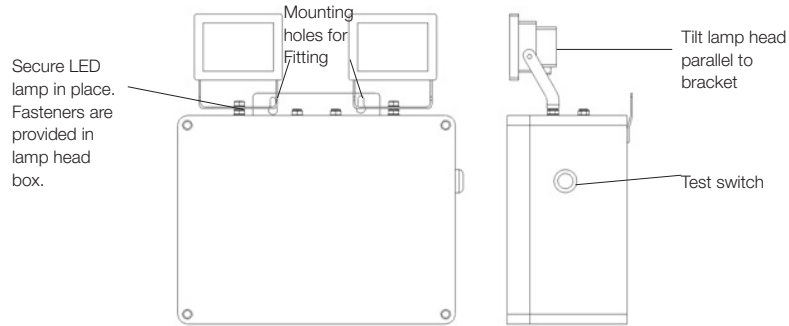
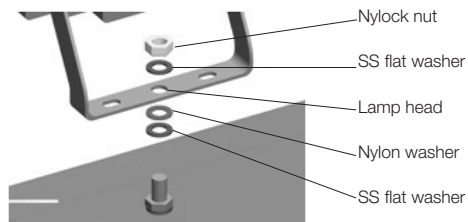
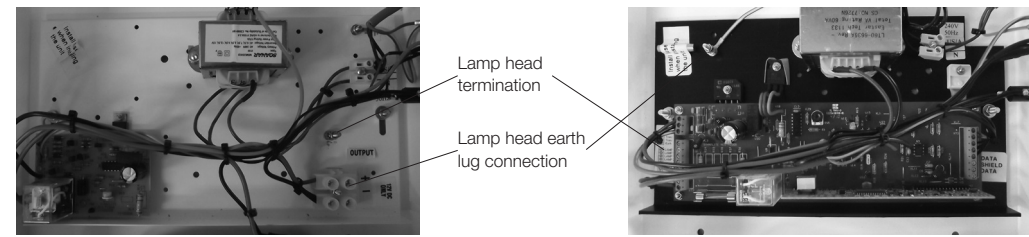


Figure 1: Flood light LED weatherproof fitting details

5. Fix 2 appropriate M6 screws to the wall (due to the wide variety of building construction materials, fasteners are not supplied). Allow approx 10mm between wall and screw head for the enclosure to slide and drop into the position. Make sure the mounting screws are fixed into solid material that is enough to support the weight of the unit (approx 4kg). Strengthen or support the mounting material if required.
6. Install the LED lamps, use fasteners provided from each box to secure the lamp head in place as shown in the image below. Insert a cable gland over each lamp cable then insert the cable into the flood unit housing. Allow approx 100mm slack cable from the back of lamp to the enclosure's cable entry hole then tighten the cable gland in place. Swing the lamp head around to make sure adequate wire length for movement, re-adjust the cable length if need to.



7. Tilt the lamp head parallel to the bracket. This is an important step to avoid excessive lamp head tilt which may cause over shadow.
8. Terminate the lamp cables into the terminal block, make sure wire polarity is correct to each marked terminal block. The lamp heads are provided with earth lug. Locate earth stud marked with earth label near the termination point. Remove nut and 1 earth washer only. Drop both lamp head earth lugs, earth washer and secure it with hex nut. In no circumstances second locking nut should be accessed as it can cause earthing problem.
9. If the cable and data cable entry is from the side, punch out the appropriate cable entry hole as required. Remove all burrs and sharp edges after drilling.
10. Run mains cable in the ceiling or wall space as appropriate or surface mounted in conduit, slide the cable gland over the cable then feed the cable through the entry hole of the enclosure. Allow adequate wire length to reach to the terminal block then secure the cable gland in place. Repeat the process for Nexus LX data cable.



11. Position the enclosure's key way slots to the mounting screws, slide it in place and tighten the screws to secure the unit to the wall.
12. Terminate mains wires to the terminal block. Be careful with multi-strand conductors that all the strands are twisted together before insertion into the terminal block. Any stray strands that inadvertently come into contact with their neighboring terminal will cause undesirable results when fitting is powered.
  - Data connection for Nexus LX product installation;
    - The same colour wire from each data cables connects to the terminal marked +.
    - The other colour wire from each of the data cables connects to the terminal marked -.
    - No mains or mains carrying cables are to be connected to the data terminals or cables.
13. Check operation of the unit to ensure that the installation was successful. When powered up, allow a few minutes to give the battery a small charge, then press the manual test button located at the top right hand side edge of the unit. Hold the test button in for a few seconds and observe the operation of the lamp switching from mains to the emergency mode. If the lamp on emergency mode works momentarily, that's okay. Try again in a few more minutes in case battery is completely discharged, it may take a little time to charge up enough to operate even momentarily. After this time, press the test button again and if the lamp does not work at all, check the supply, the connections and the trouble shooting guide at the end of this document.
14. This step is for Nexus LX or Nexus RF unit only. Once manually checked, it is ready for the commissioning into the Nexus network. Keep the information details of this flood light including exact location description, DB (distribution board) and CB (circuit breaker) numbering, channel and router numbering, plan number and cross referencing information as all of this will be required for entry into the database during commissioning. Refer to the Nexus user and technical guide for full details. As the installer, it is your responsibility to conduct the initial discharge testing of the installable unit. Refer to AS/NZS 2293.
15. If the installation is successful, secure the lid to the enclosure.
16. While the lamp heads are on, check the lamp head tilt final position and make sure there is no over shadow. Adjust lamp head position as required.

## Removal instructions

1. Before removing the installed unit, switch off the mains supply to the fitting.
2. Remove the lid, disconnect the mains and data (for Nexus only) cable connection from the terminal block using suitable size screw driver.
3. Undo the mounting screws and remove the unit from wall.

**Note:** When sending Flood Units for repairs make sure that the LED lamps are included.

## Testing precautions

Once the fitting is permanently connected to the mains supply, a commissioning discharge test as required in AS/NZS2293.2 must be carried out. You will need to allow 24 hours for the battery to fully charge prior to conducting this test, presently (at the time of writing), the standard requires that fittings operate in emergency mode for a period not less than 2 hours for their commissioning test and for not less than 90 minutes thereafter (it is required that 6 monthly discharge tests be carried out). You will need to keep the records for the commissioning test and enter them into the building emergency services logbook or via other recording methods as allowed by AS/NZS2293.2.